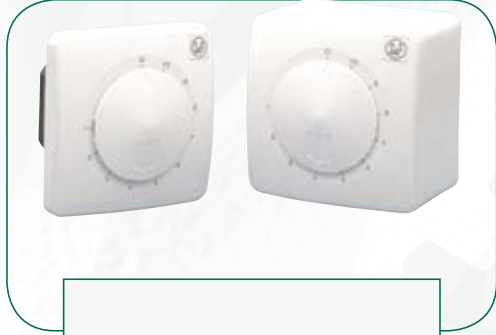


# SINGLE PHASE SPEED CONTROLLER

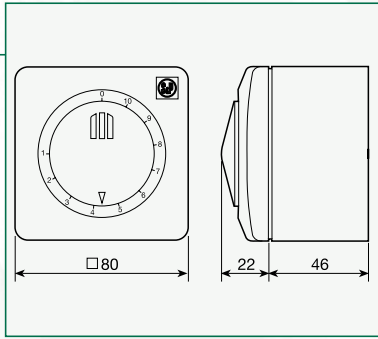
## REB-1N / REB-1NE / REB-2,5N / REB-2,5NE

Electronic single phase speed controllers Available in wall box or flush mount versions.



Fuse protected + spare fuse included.  
Minimum speed adjustment.  
Single ON/OFF and speed regulation control knob.

Model	Electrical supply		IP Protection	Power (VA)	Maximum current (A)	Class	Operating temperature range
	Frequency (Hz)	Voltage (V)					
REB-1N/1NE	50	220-240	IP44	220	1	II (□)	0-40°C
REB-2,5N/2,5NE				550	2,5		



Electrical accessories

Accessories

## REB-4 Auto

Electronic single phase speed controller Varies the speed of the fans proportionally (by electronic voltage regulation) depending upon



the temperature of the environment in which the temperature sensor (included) is installed.  
Adjustable minimum fan speed.  
Fuse protected + spare fuse included.  
Temperature band regulation (temperature difference between minimum and maximum fan speeds).  
Minimum power load 100 W.

Model	Electrical supply		IP Protection	Power (VA)	Maximum current (A)	Class	Operating temperature range
	Frequency (Hz)	Voltage (V)					
REB-4 Auto	50	220-240	IP55	880	4	II (□)	10-45°C

LxAxH (mm): 110 x 107 x 170

